

a measurable difference...

Cutting Dies - Tool Steel

Model: C0024
(Types A to Z)

Cutting of plastics, paper, textiles and rubber samples for tensile tear testing.
(Dumbbell, trouser etc)

Applications:

- Cardboard
- Foam
- Paper
- Plastic
- Rubber

Features:

- Able to be resharpened

Standards:

- BS 2782-3
- AS 1683.11
- AS 2282.7
- ASTM D470
- ASTM D1004
- ASTM D1822
- ASTM D638
- ISO 37
- ISO 6259
- K6301
- AS 1301.404
- AS 1180.2
- ASTM D412
- ASTM D624
- ASTM 1660.2
- ASTM D3574
- AS 1145
- ISO 527
- K6251

**please specify which Cutting Die is required*

Options:

- Cutting Die Adaptors
- Cutting Press
- Certification

Connections:

- N/A

Dimensions:

- As per requirements



Cutting Die Adaptor

Can be used with the following Cutting Presses



C0022



C0043-Dies



S0003

10-11 Colrado Court, Hallam, Victoria 3803 Australia.

Phone: +61 3 9708 6885

Fax: +61 3 9708 6770

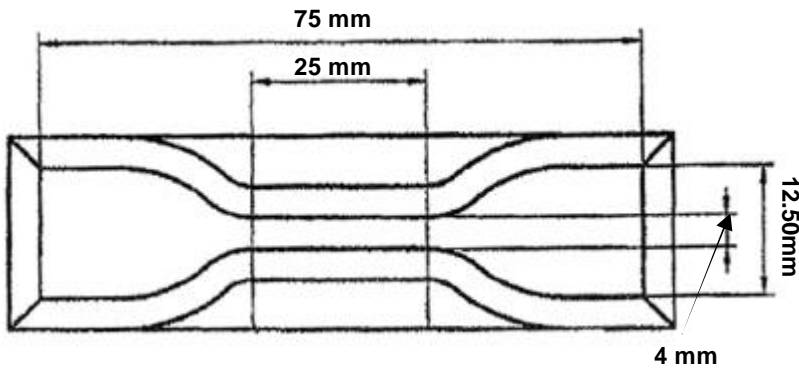
Website: www.idminstruments.com.au

Email: idm@idminstruments.com.au

All sizes and dimensions shown on this data sheet are averages only and images are as accurate as the medium allows.
Products and details shown may change without notice as IDM Instruments reserves the right to make alterations to its product range from time to time.

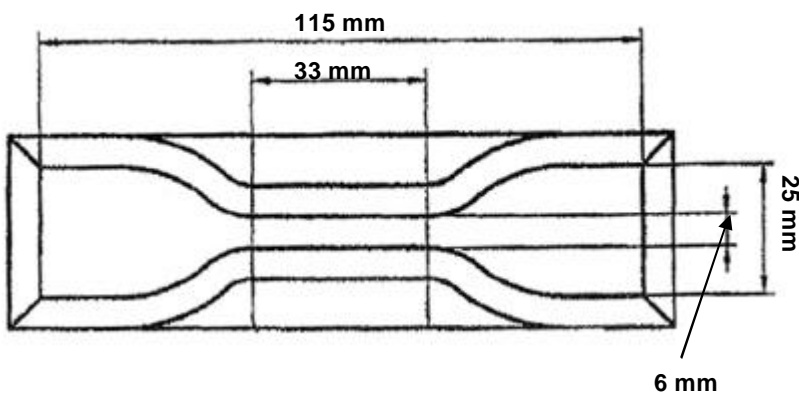
a measurable difference...

Cutting Dies - Tool Steel



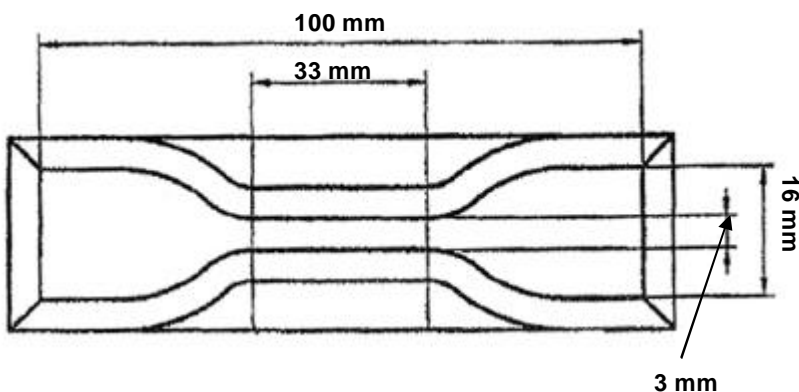
C0024 – Type A

- ISO 37-Type 2
- ISO 527-2-Type 5A
- AS 1145-Type 5A
- K6251-Type 6



C0024 – Type B

- ASTM D412-C
- ISO 6259-Type 2
- K6251-Type 5
- ISO 37 – Type 1
- ISO 527-3 – Type 5



C0024 – Type C

- ASTM D412-D

10-11 Colrado Court, Hallam, Victoria 3803 Australia.

Phone: +61 3 9708 6885

Fax: +61 3 9708 6770

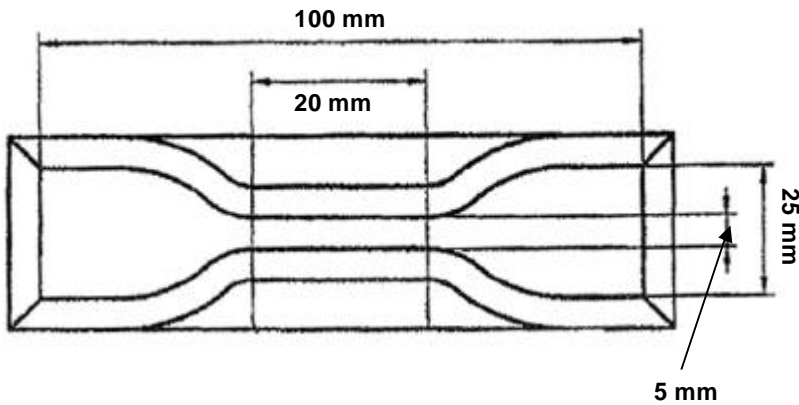
Website: www.idminstruments.com.au

Email: idm@idminstruments.com.au

All sizes and dimensions shown on this data sheet are averages only and images are as accurate as the medium allows. Products and details shown may change without notice as IDM Instruments reserves the right to make alterations to its product range from time to time.

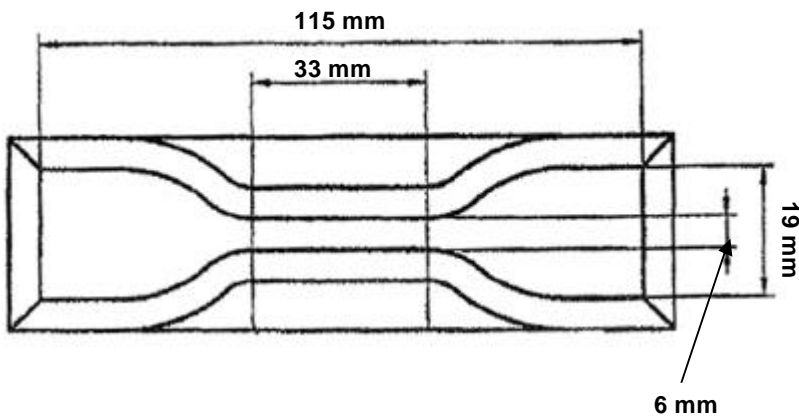
a measurable difference...

Cutting Dies - Tool Steel



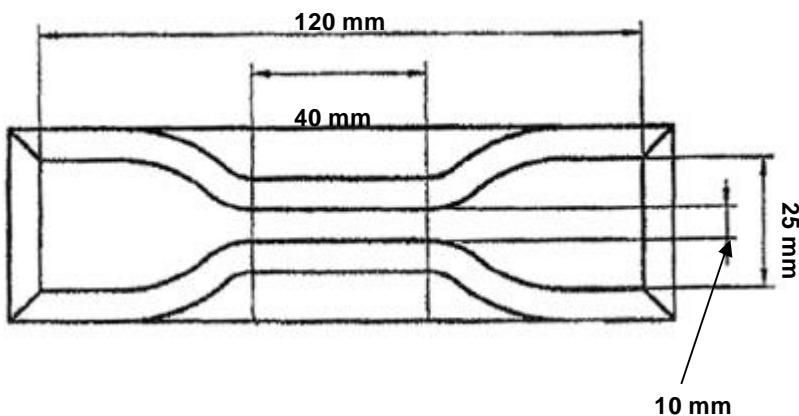
C0024 – Type D

- JIS K6301-Type 3
- K6251- Type3



C0024 – Type E

- ASTM D638-02a-Type 4



C0024 – Type F

- JIS K6301-Type 1

10-11 Colrado Court, Hallam, Victoria 3803 Australia.

Phone: +61 3 9708 6885

Fax: +61 3 9708 6770

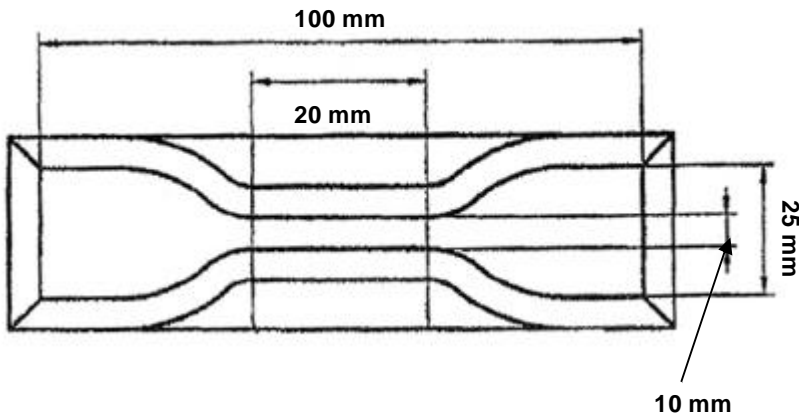
Website: www.idminstruments.com.au

Email: idm@idminstruments.com.au

All sizes and dimensions shown on this data sheet are averages only and images are as accurate as the medium allows. Products and details shown may change without notice as IDM Instruments reserves the right to make alterations to its product range from time to time.

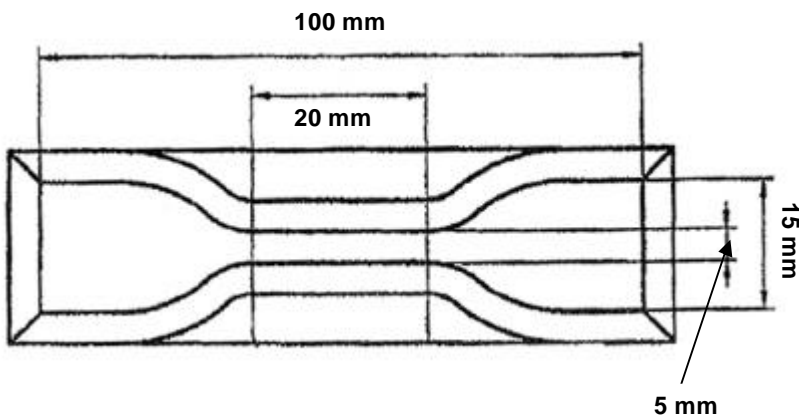
a measurable difference...

Cutting Dies - Tool Steel



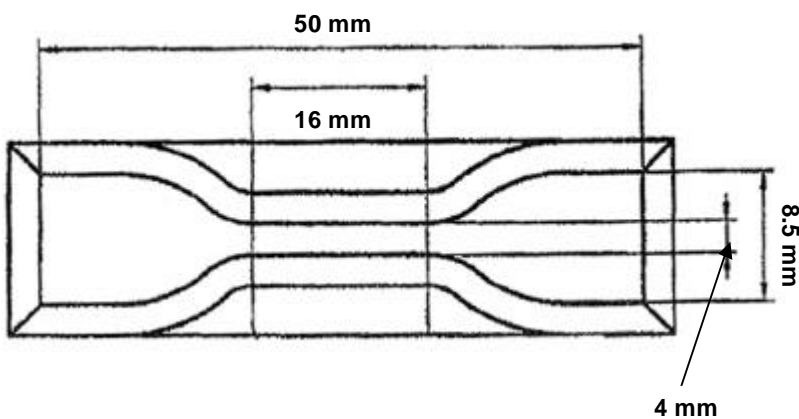
C0024 – Type G

- JIS K6301-Type 2



C0024 – Type H

- JIS K6301-Type 4



C0024 – Type I

- ISO 37 – Type 3

10-11 Colrado Court, Hallam, Victoria 3803 Australia.

Phone: +61 3 9708 6885

Fax: +61 3 9708 6770

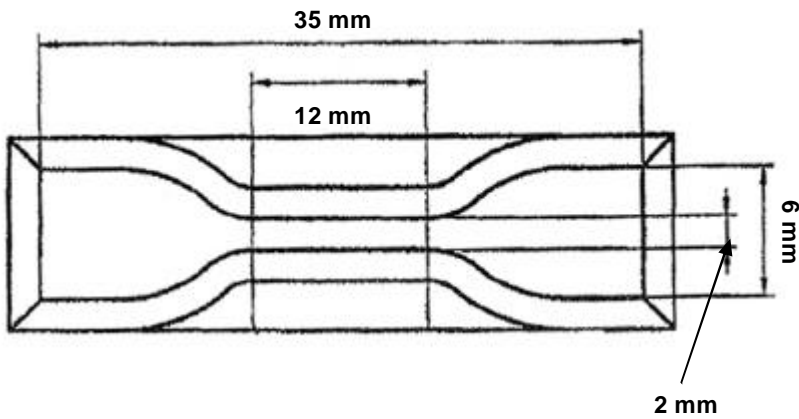
Website: www.idminstruments.com.au

Email: idm@idminstruments.com.au

All sizes and dimensions shown on this data sheet are averages only and images are as accurate as the medium allows. Products and details shown may change without notice as IDM Instruments reserves the right to make alterations to its product range from time to time.

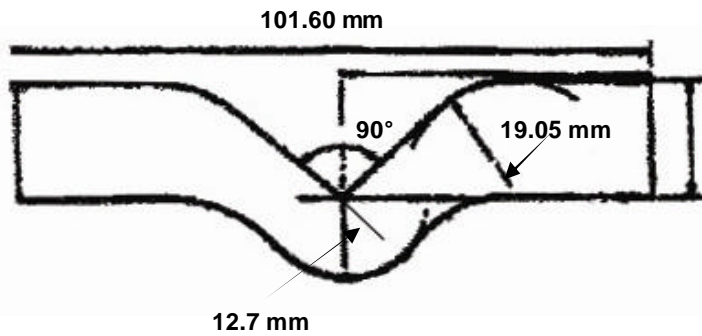
a measurable difference...

Cutting Dies - Tool Steel



C0024 – Type J

- ISO 37 – Type 4
- ISO 527-2 – Type 5B



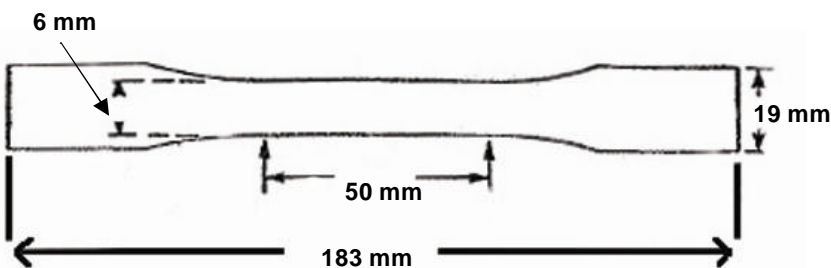
C0024 – Type K

- K6301- B
- ASTM D624 – Type C
- ASTM D1004-03



C0024 – Type L

- ASTM D638-02a-Type 1



C0024 – Type M

- ASTM D638-02a-Type 2

10-11 Colrado Court, Hallam, Victoria 3803 Australia.

Phone: +61 3 9708 6885

Fax: +61 3 9708 6770

Website: www.idminstruments.com.au

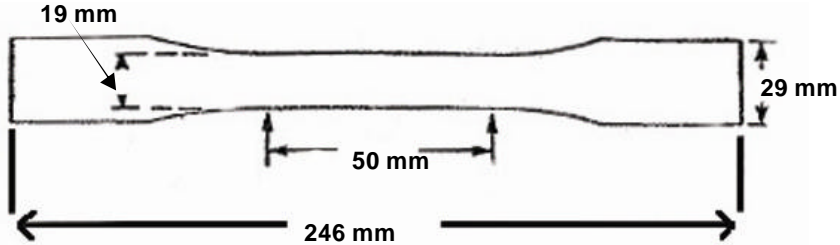
Email: idm@idminstruments.com.au

All sizes and dimensions shown on this data sheet are averages only and images are as accurate as the medium allows. Products and details shown may change without notice as IDM Instruments reserves the right to make alterations to its product range from time to time.

Copyright © 2006 IDM Instruments Pty Ltd. All Rights Reserved.

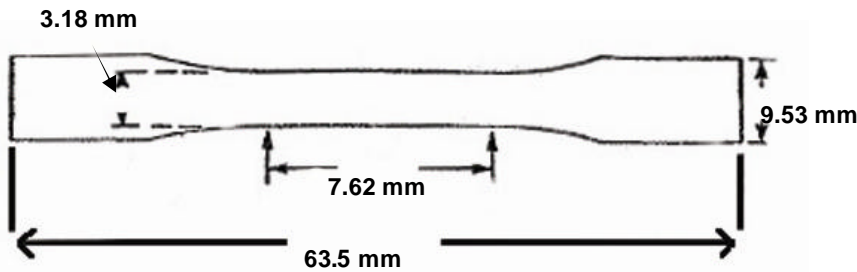
a measurable difference...

Cutting Dies - Tool Steel



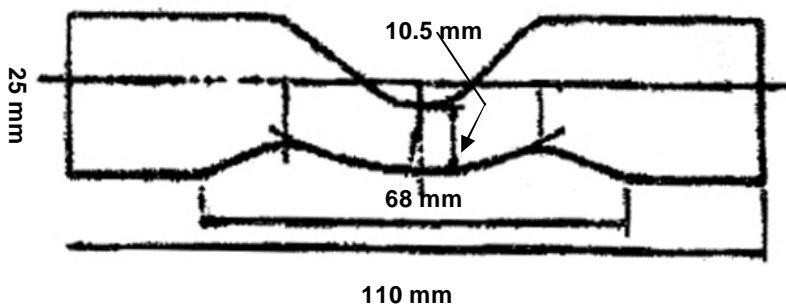
C0024 – Type N

- ASTM D638-02a-Type 3



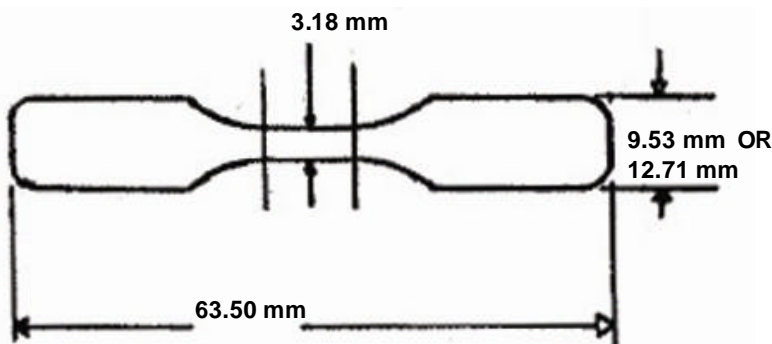
C0024 – Type O

- ASTM D638-02a-Type 5



C0024 – Type P

- K6301-Type A
- ASTM D624 – Type B



C0024 – Type Q

- ASTM D1822-Type L

Variable Thickness

10-11 Colrado Court, Hallam, Victoria 3803 Australia.

Phone: +61 3 9708 6885

Fax: +61 3 9708 6770

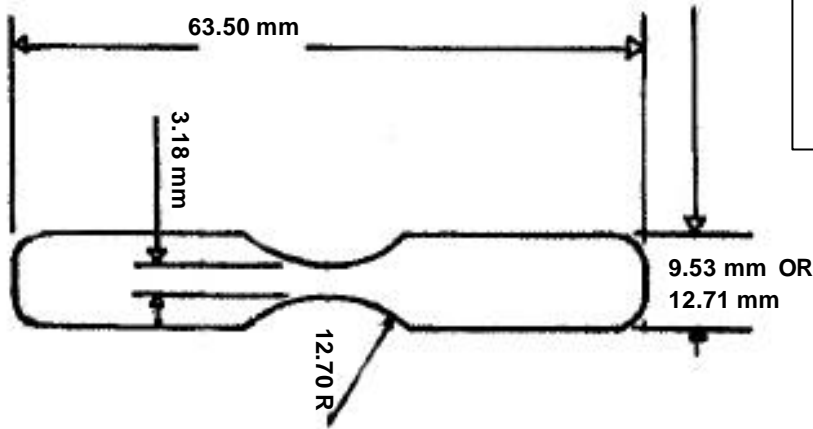
Website: www.idminstruments.com.au

Email: idm@idminstruments.com.au

All sizes and dimensions shown on this data sheet are averages only and images are as accurate as the medium allows. Products and details shown may change without notice as IDM Instruments reserves the right to make alterations to its product range from time to time.

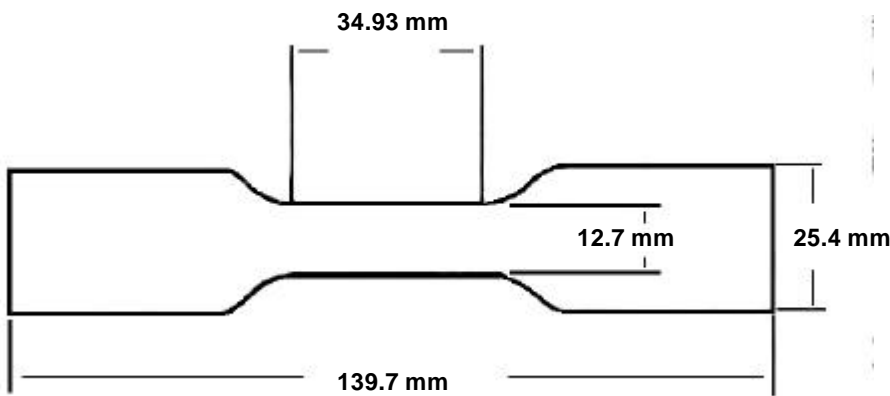
a measurable difference...

Cutting Dies - Tool Steel

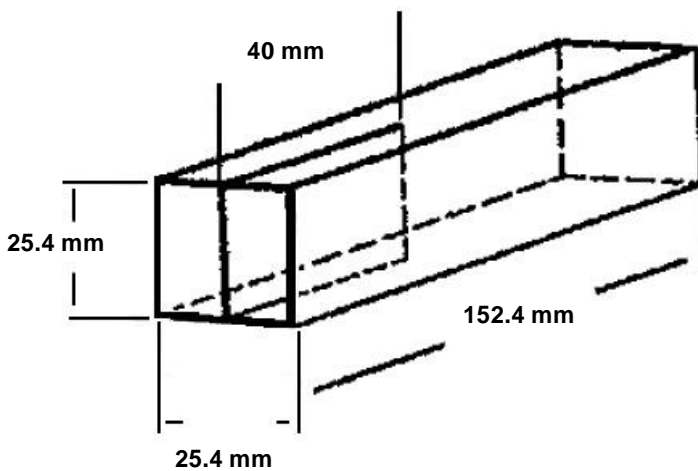


C0024 – Type R
• ASTM D1822-Type S

Variable Thickness



C0024 – Type S
• ASTM D3574 – Type E



C0024 – Type T
• ASTM D3574 – Type F

10-11 Colrado Court, Hallam, Victoria 3803 Australia.

Phone: +61 3 9708 6885

Fax: +61 3 9708 6770

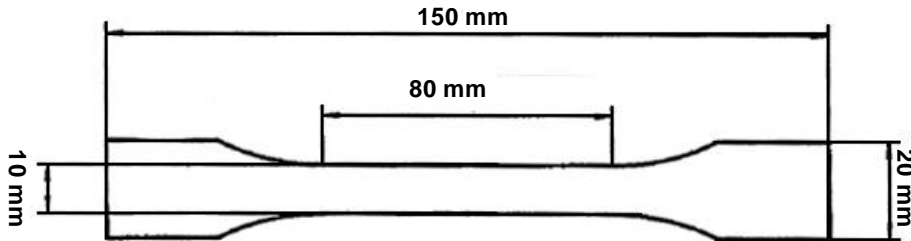
Website: www.idminstruments.com.au

Email: idm@idminstruments.com.au

All sizes and dimensions shown on this data sheet are averages only and images are as accurate as the medium allows. Products and details shown may change without notice as IDM Instruments reserves the right to make alterations to its product range from time to time.

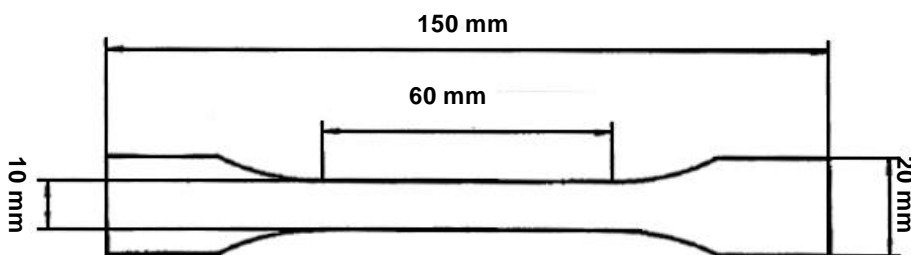
a measurable difference...

Cutting Dies - Tool Steel



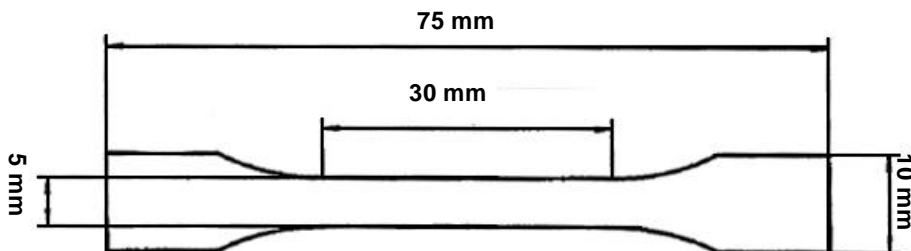
C0024 – Type U

- ISO 527-2 – Type 1A



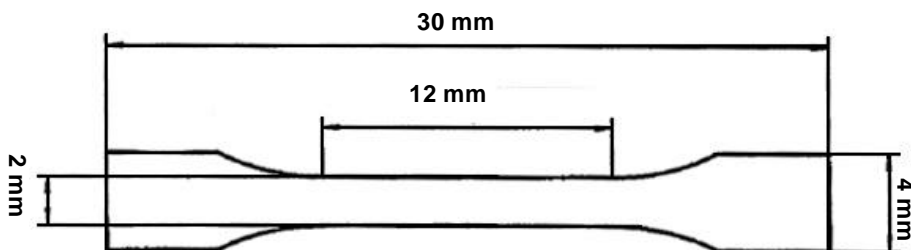
C0024 – Type V

- ISO 527-2 – Type 1B
- ISO 527-3 – Type 1B



C0024 – Type W

- ISO 527-2 – Type 1BA



C0024 – Type X

- ISO 527-2 – Type 1BB

10-11 Colrado Court, Hallam, Victoria 3803 Australia.

Phone: +61 3 9708 6885

Fax: +61 3 9708 6770

Website: www.idminstruments.com.au

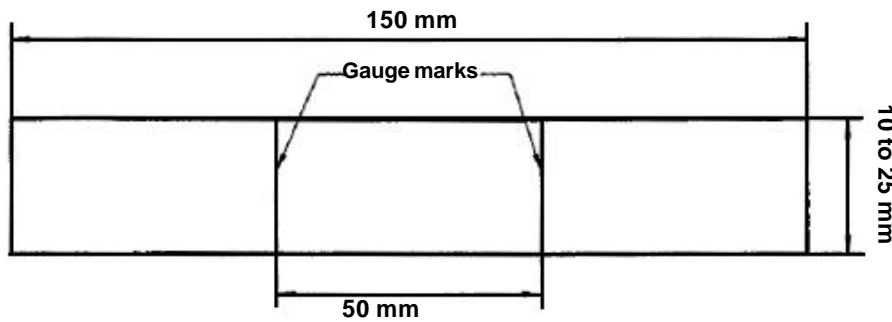
Email: idm@idminstruments.com.au

All sizes and dimensions shown on this data sheet are averages only and images are as accurate as the medium allows. Products and details shown may change without notice as IDM Instruments reserves the right to make alterations to its product range from time to time.

Copyright © 2006 IDM Instruments Pty Ltd. All Rights Reserved.

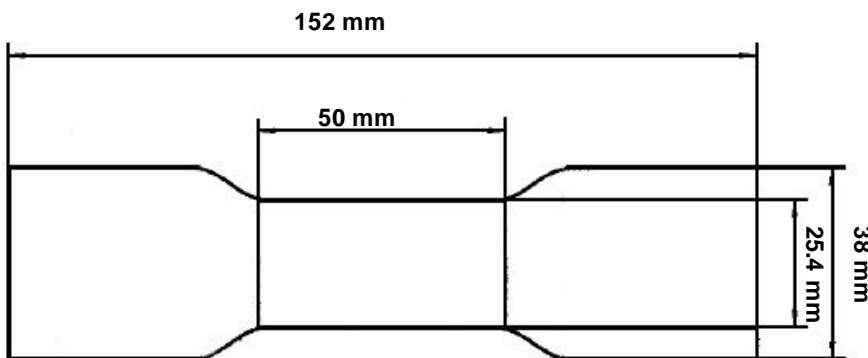
a measurable difference...

Cutting Dies - Tool Steel



C0024 – Type Y

• ISO 527-3 – Type 2



C0024 – Type Z

• ISO 527-3 – Type 4

10-11 Colrado Court, Hallam, Victoria 3803 Australia.

Phone: +61 3 9708 6885

Fax: +61 3 9708 6770

Website: www.idminstruments.com.au

Email: idm@idminstruments.com.au

All sizes and dimensions shown on this data sheet are averages only and images are as accurate as the medium allows.
Products and details shown may change without notice as IDM Instruments reserves the right to make alterations to its product range from time to time.